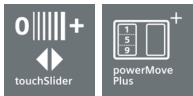
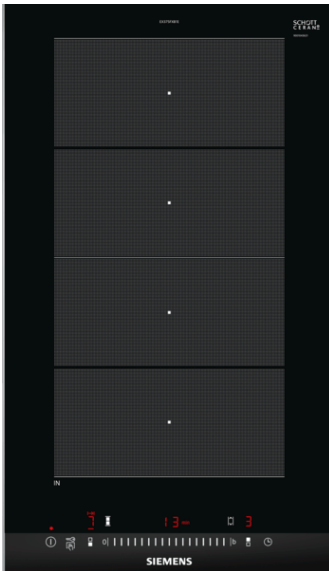


## iQ700, Flex induction cooktop, 30 cm, Black EX375FXB1E



Induction cooktop with innovative features that enable highly flexible cooking in any situation.

- ✓ The 30 cm wide cooktop is ideal for combining with other Domino or faceted design cooktops.
- ✓ touchSlider control allows to control the temperature by entering it directly or by moving the slider with a single finger.
- ✓ powerMove Plus enables intuitive control thanks to three heating zones with different temperatures – activated by touch.
- ✓ Shorter heating times with up to 50% more power thanks to the powerBoost-function.
- ✓ The timer with switch-off function safely shuts off the cooking zone when the selected cooking time expires.

### Features

#### Technical data

Product name/family : Vario/Domino cooking zone cera  
 Built-in / Free-standing : Built-in  
 Energy input : Electric  
 Total number of positions that can be used at the same time : 2  
 Required niche size for installation (HxWxD) : 51 x 270 x 490-500  
 Width of the appliance : 302  
 Dimensions : 51 x 302 x 520  
 Dimensions of the packed product (HxWxD) (mm) : 126 x 383 x 597  
 Net weight (kg) : 8.118  
 Gross weight (kg) : 8.7  
 Basic surface material : Ceramic  
 Color of surface : Alu, brushed, Black  
 Approval certificates : AENOR, CE  
 Length electrical supply cord (cm) : 110  
 Connection Rating (W) : 3700  
 Voltage (V) : 220-240  
 Frequency (Hz) : 60; 50

### Optional accessories

HZ394301



**iQ700, Flex induction cooktop, 30 cm,  
Black  
EX375FXB1E**

#### Features

**Design:**

- Design trim (front facette with side trim)
- HighSpeed ceramic glass
- Flex zone

**Comfort and Safety:**

- 2 induction cooking zones
- Timer for all zones
- Buzzer
- count-up timer, per cooktop
- 
- Energy efficiency display

**Power and size:**

- Cooking Zones: 1 x Ø 400 mmx210 mm, 3.3 KW (max. Power levels 3.7 KW) Induction or 2 x Ø 210 mm, 2.2 KW (max. Power levels 3.7 KW) Induction

**Environment+safety:**

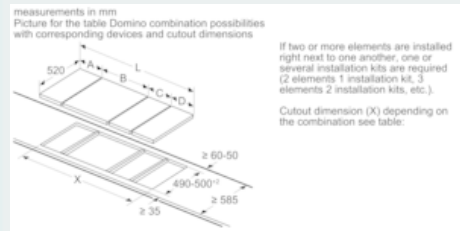
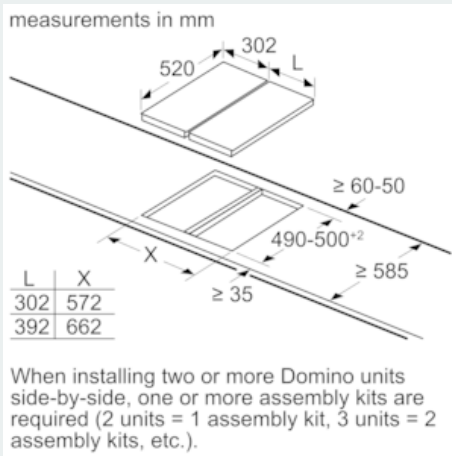
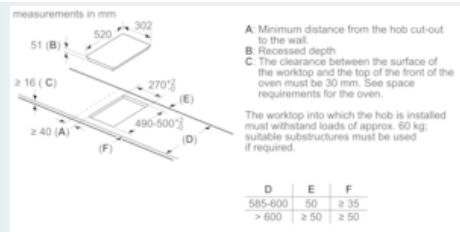
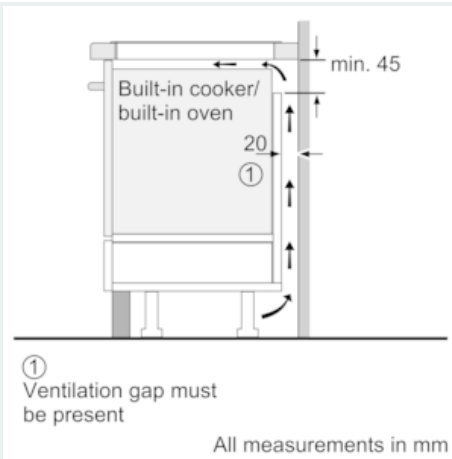
- Automatic pan recognition
- Power management function
- Automatic safety switch off
- Safety lock
- Freeze function
- 
- Two stage residual heat indicators
- Main switch
- powerMove Plus

**Quickness:**

- Power boost setting
- Installation set to install 2 Dominos side by side

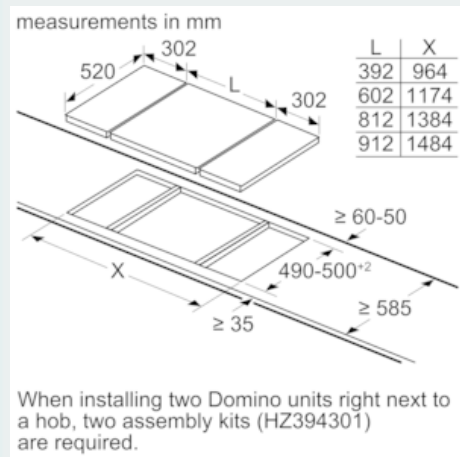
iQ700, Flex induction cooktop, 30 cm, Black EX375FXB1E

Dimensioned drawings



measurements in mm  
Domino combination options with corresponding appliance and cut-out dimensions

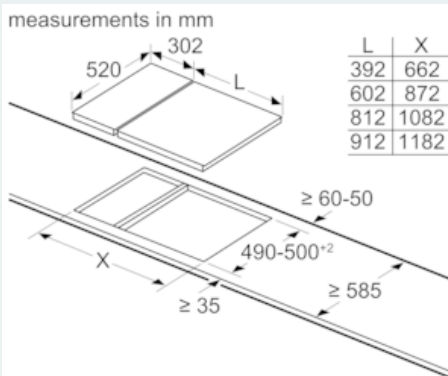
Width category:	30	40	60	70	80	90
Appliance width:	302	392	602	710	812	912
2x30	A	B	C	D	L	X
1x30, 1x40	302	302	-	-	604	572
1x30, 1x60	302	392	-	-	694	662
1x30, 1x80	302	602	-	-	904	872
1x30, 1x70*	302	710	-	-	1012	980
1x30, 1x90	302	812	-	-	1114	1082
1x30, 1x60	302	392	-	-	1214	1182
2x40	392	392	-	-	784	752
1x40, 1x60	392	602	-	-	994	962
1x40, 1x70*	392	710	-	-	1102	1070
1x40, 1x90	392	812	-	-	1204	1172
1x40, 1x60	392	912	-	-	1304	1272
3x30	302	302	302	-	906	874
2x30, 1x40	302	302	392	-	996	964
2x30, 1x60	302	302	602	-	1206	1174
2x30, 1x70*	302	302	710	-	1314	1282
2x30, 1x90	302	302	812	-	1416	1384
2x30, 1x60	302	392	912	-	1516	1484
1x30, 2x40	302	392	392	-	1086	1054
1x30, 1x40, 1x60	302	392	602	-	1296	1264
1x30, 1x40, 1x70*	302	392	710	-	1404	1372
1x30, 1x40, 1x90	302	392	812	-	1506	1474
1x30, 1x40, 1x60	302	392	912	-	1606	1574
3x40	392	392	392	-	1176	1144
2x40, 1x60	392	392	602	-	1386	1354
4x30	302	302	302	302	1208	1176
3x30, 1x40	302	302	302	392	1298	1266
2x30, 2x40	302	302	392	392	1388	1356
1x30, 3x40	302	392	392	392	1478	1446
1x30, 1x75	302	750	-	-	1052	1016
1x40, 1x75	392	750	-	-	1142	1106
2x30, 1x75	302	302	750	-	1354	1318
1x30, 1x40, 1x75	302	392	750	-	1444	1408



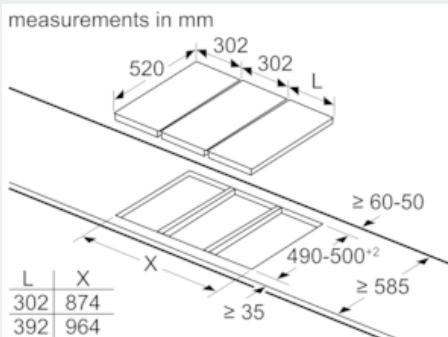
\* Not possible with 70 cm induction hob

## iQ700, Flex induction cooktop, 30 cm, Black EX375FXB1E

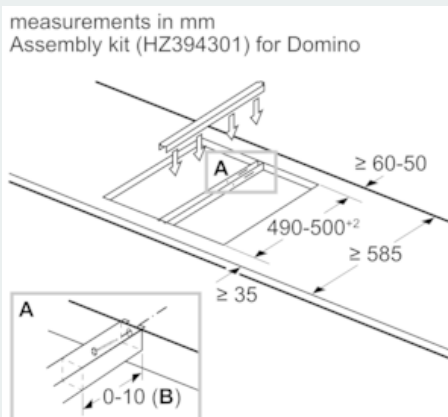
### Dimensioned drawings



When installing a Domino unit right next to a hob, an assembly kit (HZ394301) is required.



When installing two or more Domino units side-by-side, one or more assembly kits are required (2 units = 1 assembly kit, 3 units = 2 assembly kits, etc.).



**B:** Dependent on the cut-out depth

